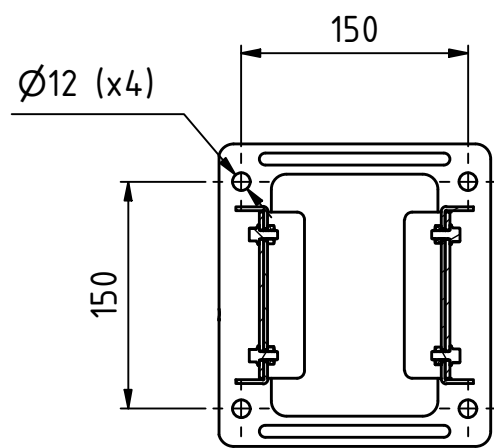
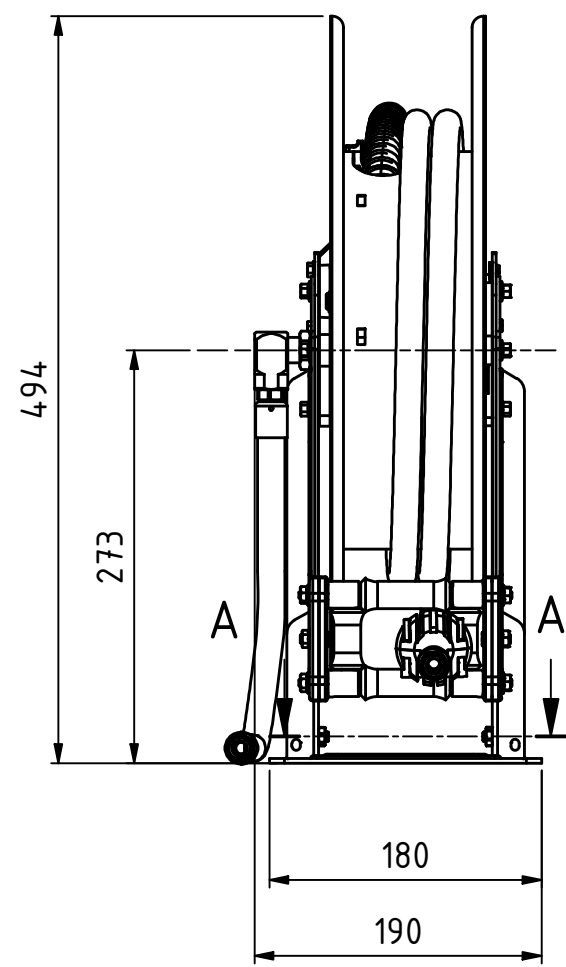
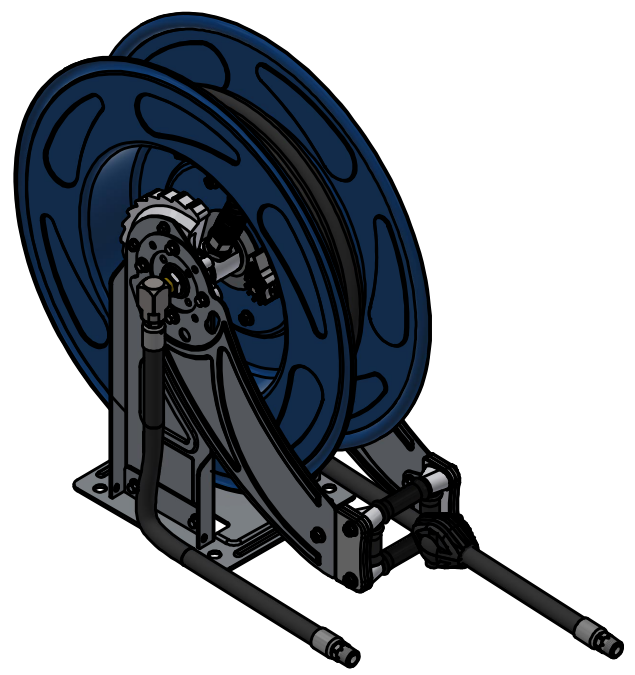
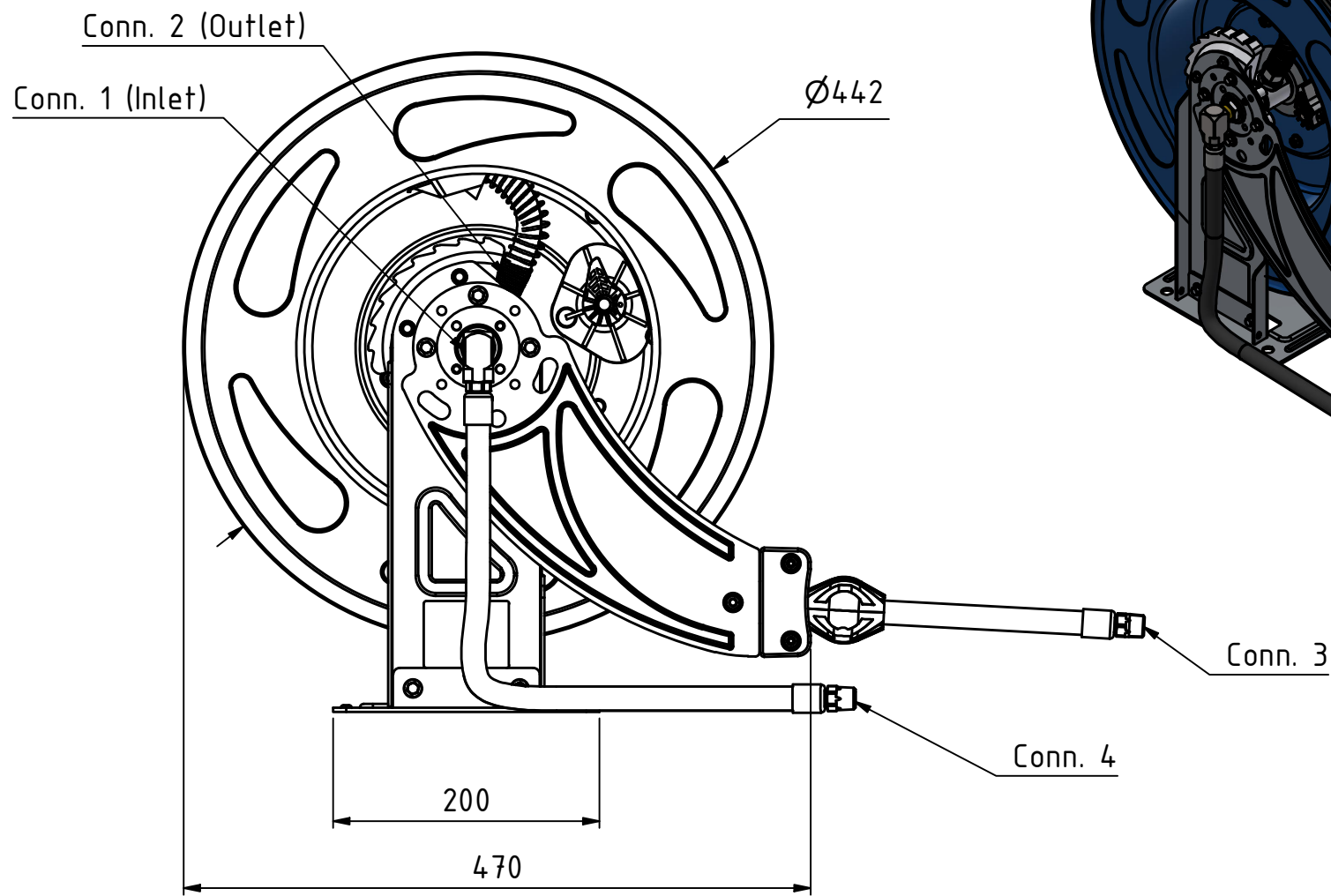


This document must not be copied, either completely or in part, without permission. Any infringement will have legal consequences ©



A-A




1 : 7

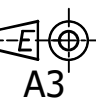
**Technical Data:**

- Hose material: Rubber
- Max fluid temperature: 40°C
- Sealing material: PU
- Max pressure: 20bar (290PSI)
- Reel material: Powder Coated Steel
- Feeder hose length: 1m
- Hose Reel Connections:
  - Inlet: G 3/8" female (1)
  - Outlet: G 3/8" male nipple cone 60° (2)

**Product Data - Painted Steel Reels**

Art.no.	Hose length	IDxOD [mm]	Conn. 3	Conn. 4	Weight
19 913 0040	20m (65ft)	10x18	R 3/8" male	R 3/8" male	20,2
19 913 0041	20m (65ft)	10x18	3/8" NPT male	3/8" NPT male	20,2

State Production	Drawn CABLIJA	Checked ANLA	Approved JOOL
Date 2023-08-29	ECO 001699	Former No.	Scale 1 : 5
		Drawing No. <b>199130040</b>	
Assembly Drawing		Issue A	Sheet 1/(1)



A3